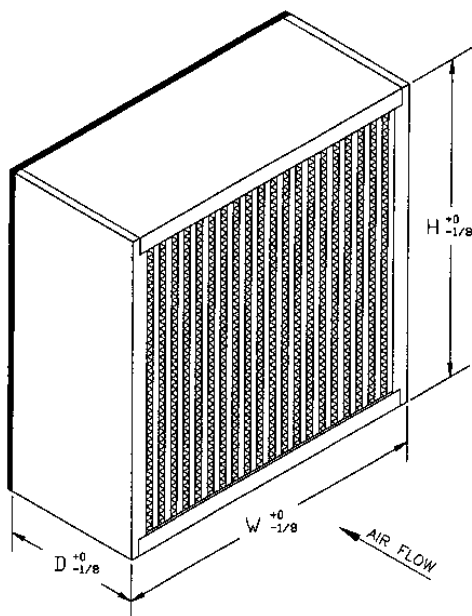



Item Number	Construction Code	Actual Size (Inches) H x W x D	Rated Air Flow (CFM)	Initial Resistance (In. W.G.)	Efficiency
2970028	H2424B00-000 000 00P	24 x 24 x 11-1/2	1000	1.00	99.97% @ 0.3 Micron

Construction	Code	Description
Standard and Certification	0	HEPA-TEST-RP-CC001.3, Type A per MIL-STD 282
Frame Material	0	3/4" Particle Board
Frame Style	0	Four Piece Box
Gasket	0	SCE 43 Neoprene 1/4" x 3/4" (180 deg. F)
Gasket Location	0	Downstream
Sealant	0	Urethane (180 deg. F)
Hardware	0	None
Acceptance Level	0	99.97% on 0.3 Micron Overall (Q-107 Tested)
Separators	P	Aluminum Separators, SC Capacity



NOTES

1. Rated Velocity: 250 FPM
2. Class 2 Filter Per U.L Standard 900
3. Maximum Operating Temperature: 180 Deg. F

 ONE SOURCE FOR AIR FILTRATION PRODUCTS	P.O. Box 32578 Louisville, KY 40232 P: 502-969-2304 F: 502-969-2759	TOLERANCES UNLESS OTHERWISE SPECIFIED				DRAWING NAME MICROGUARD 99 SCM-501			
		FRACTIONAL DECIMAL ANGLES	APPROVED BY		SPECIFICATION NO. MKT-B-00296		PAGE 1 OF 1		
CONTACT FACTORY TO VERIFY REVISION LEVEL		ALL DIMENSIONS IN INCHES		SCALE NONE	DWG. SIZE A	REVISION NEW	REVISION DATE 03-06-02		
CONFIDENTIAL - DO NOT COPY. THIS MATERIAL IS TRADE SECRET AND PROPRIETARY BEING EXCLUSIVELY OWNED BY AIRGUARD. THE EXPRESSION OF THE INFORMATION CONTAINED HEREIN IS PROTECTED UNDER FEDERAL COPYRIGHT LAWS AND ALL COPYING IS PROHIBITED AND MAY BE SUBJECT TO CRIMINAL PENALTIES.									